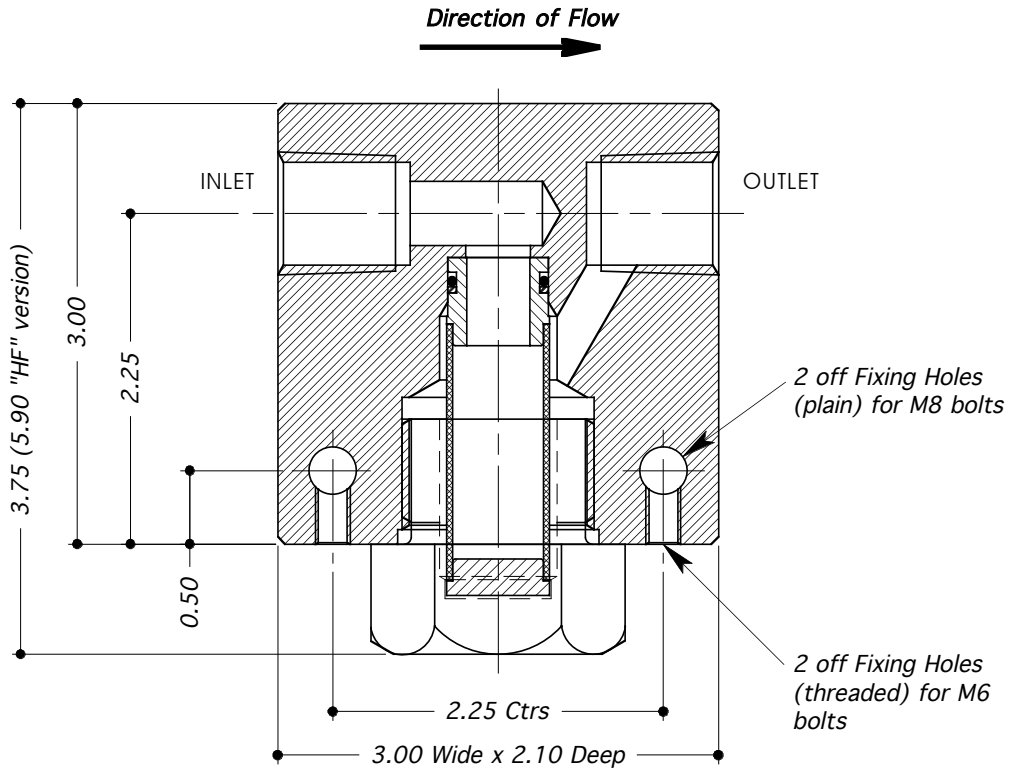


# "IN-LINE" FILTER TYPE: EF50



- STAINLESS STEEL (316 / 1.4404)
- SUITABLE FOR LIQUID OR GAS USE.
- EASY REPLACEMENT FILTER.
- ALL DIMENSIONS IN INCHES.



TECHNICAL SPECIFICATION		ORDERING EXAMPLE
Filter Type:	EF50	EF50
Porting / Connection Options:	P = BSP (Parallel)    N = NPT (Taper)	N
Micron Rating:	2.5, 5, 10, 20, 50, 100, 200 M (Microns)	2.5 M
High Flow (extended filter element)	HF	—
Max. Working Pressure - Liquid	8,000 psi	8K
Max. Working Pressure - Gas	4,000 psi	
Port Size:	1/2"	
Seal Material:	Viton (other materials available by request)	
Dry Weight (kg)	2.5	
Working Temperature Range:	-10°C to +120°C	
Filter Area (sq.ins)	4.5	
Filter Element Material:	Stainless Steel (316/1.4404) Rigid Mesh	
Max Diff. Press (DP) Bar (element)	10	